



IMPORTANT

OPERATING INSTRUCTIONS MANUAL

English • Español

HELPFUL HINTS & TIPS

“MEETS REQUIREMENTS OF ASTM SAFETY SPECIFICATION F 2208”



MODEL PGRM - 2

85dB Horn at 10 Feet

This product has been designed to aid in the detection of unwanted intrusions into unsupervised pools. POOLGUARD IS A SAFETY ALARM SYSTEM AND NOT A LIFE SAVING DEVICE. "This device is not intended to replace any other safety consideration - i.e., adult supervision, lifeguards, fences, gates, pool covers, locks, etc., and some devices may not detect gradual entry."

GENERAL

POOLGUARD is the result of quality design and manufacturing techniques that are a standard at PBM Industries, Inc.; a company dedicated to high quality products. POOLGUARD is a result of that dedication and we guarantee and stand behind the POOLGUARD alarm system. POOLGUARD Pool Alarms have been tested and comply to the ASTM Safety and Performance Standard for Pool Alarms, ASTM F 2208, see insert.

POOLGUARD is an electronic monitoring system that automatically sounds an alarm when children or pets fall into your unsupervised pool.

POOLGUARD is a portable, self-contained, lightweight unit that is safe and simple to operate. Entry into the pool will be detected by the unit's electronic sensor, triggering a loud pulsating alarm and an internal RF transmitter. The remote receiver will receive the transmitted signal and sound an alarm within the home.

INSPECTION

POOLGUARD is packaged in a shipping carton that minimizes the chance of damage due to handling. Check for damage and confirm that the contents of the carton include the following items:

- POOLGUARD Unit
- Handle
- Remote Receiver and Power Supply
- Operating Instructions Manual
- Register your alarm online at www.poolguard.com

If an item is missing, contact either the place of purchase or PBM Industries, Inc. for replacement.

CARE AND HANDLING

POOLGUARD is constructed from sturdy plastic to withstand the adverse moisture environment of a swimming pool. **Care needs to be taken when handling to ensure against being dropped, kicked, etc. Also, be sure to remove the pool unit and set it away from activity in the upright position when the pool is being used, (See Figure 1).**

If the pool unit accidentally falls into your pool, remove it immediately and drain the water from it. Take the unit apart as indicated in the Battery Replacement Procedure and remove the battery. Tip and shake unit and remove all excess water from inside the unit and the battery, and the circuit board area with a paper towel or cloth. Completely test unit before each use as described in manual to ensure proper operation. **(Remember to always remove the pool unit from the pool while swimming and set it aside away from pool activity).**

ATTACHING HANDLE

The two handle screws are located in the top of the alarm, remove them and attach the handle, **(See Figure 1).**

INSTALLING YOUR ALARM

RESET/SLEEP SWITCH (SEE FIGURE 1)

RESET: When the pool unit is installed in the pool and the horn is sounding; press the reset/sleep switch once to silence the alarm.

SLEEP MODE: When the pool unit is removed from the pool and the horn is sounding; press and hold the reset/ sleep switch for 3 seconds to silence the alarm. The pool unit will automatically wake up when it is installed into the pool. **THE POOL UNIT WILL NOT GO INTO SLEEP MODE ONCE IT IS INSTALLED IN THE POOL!**

SILENT INSTALLATION AND REMOVAL FEATURE

• The poolguard system will sound an alarm (Horn will sound) when you install or remove the pool unit from your pool. If you would like the poolguard system not to sound an alarm (horn will not sound) when you install or remove the pool unit from your pool, follow the directions below.

1. SILENT INSTALLATION (HORN WILL NOT SOUND)

• Press and hold the reset/sleep switch for 3 seconds, until you hear the pool units horn chirp. Release the reset/sleep switch, you now have 15 seconds to gently and slowly install the pool unit into your pool without the horn sounding.

POOLGUARD WILL INSTANTLY BE MONITORING YOUR POOL FOR AN INTRUSION.

2. SILENT REMOVAL (HORN WILL NOT SOUND)

• Before removing the pool unit from your pool. Press and hold the reset/sleep switch for 3 seconds, until you hear the pool units horn chirp.

Release the reset/sleep switch, you now have 5 seconds to remove the pool unit from your pool without the horn sounding. **IMPORTANT: THIS DOES NOT TURN POOLGUARD OFF, IF THE POOL UNIT IS NOT REMOVED IT WILL CONTINUE TO MONITOR YOUR POOL FOR AN INTRUSION.**

3. POOLGUARD HAS DESIGNED THIS FEATURE FOR "ONLY" THOSE WHO HAVE THE RESPONSIBILITY OF INSTALLING OR REMOVING THE ALARM FROM YOUR POOL!

BATTERY INSTALLATION / REPLACEMENT

(Battery not included), (Energizer Recommended)

POOLGUARD is powered by a standard 9 -volt alkaline battery. To install or replace the battery:

- Remove the screw from the bottom of the unit, (**See Figure 1**).
- Carefully slide out electronics assembly; do not pull or jerk on internal hook up cable. (If necessary, gently shake unit to remove assembly.)
- Remove old battery and check for leakage or corrosion. (Remove any leakage or corrosion if present before installing new battery.)

• IMPORTANT: WHEN A 9V BATTERY IS FIRST INSTALLED IN THE POOL UNIT, THE HORN WILL SOUND. TO SILENCE THE ALARM PRESS AND HOLD THE RESET/SLEEP SWITCH FOR 3 SECONDS. THIS PLACES THE POOL UNIT IN SLEEP MODE. THE POOL UNIT WILL AUTOMATICALLY WAKE UP WHEN IT IS INSTALLED INTO THE POOL

- Install new battery by attaching snap connection and sliding into battery holder.
- Slide electronics assembly into pool unit; do not pinch internal hookup cable..
- Replace the screw, hand tighten until screw is all the way in and flush against the pool unit.

To prevent possible damage, battery should be removed whenever storing the alarm, for an extended period of time.

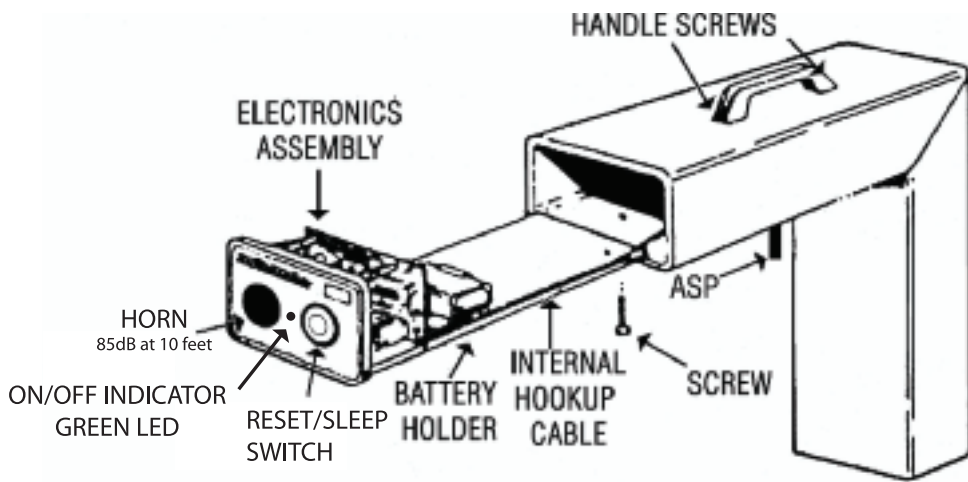
ON/ OFF INDICATOR - GREEN LED

When POOLGUARD is installed and monitoring your pool for an intrusion, the green LED will flash once approximately every 10 seconds to indicate that the alarm is ON and OPERATING. When POOLGUARD is installed in your pool and the alarm is sounding, the green LED will flash approximately 2 times per second.

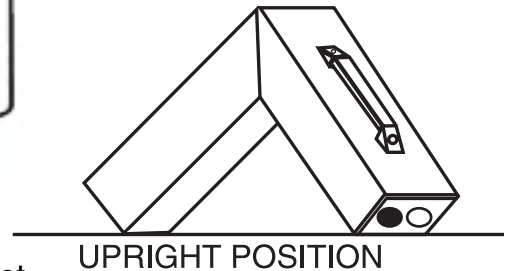
When POOLGUARD is removed from your pool the GREEN LED will not flash indicating that the alarm is OFF and NON-OPERATIONAL.

LOW BATTERY FUNCTION

The POOL UNIT AND THE REMOTE RECEIVER will beep once approximately every 10 seconds to alert you that the battery is low in the pool unit and needs to be replaced.



POOL UNIT **FIGURE 1**



PLACEMENT IN YOUR POOL

Figure 2 illustrates locations best suited for detecting intrusions from any area of the pool. If your pool is larger than 800 square feet, if you have more than 2 return lines, any concerns about the size, or if you have an irregular shaped pool or water features such as waterfalls, please call customer service to clarify the recommended number of alarms and locations for alarms: 1-800-242-7163. Poolguard Pool Alarms have been tested and comply to the ASTM Standard Specifications for Pool Alarms ASTM F 2208, in a 16' x 32' pool. POOLGUARD alarms can be used in pools up to 20' x 40' or 800 square feet.



FIGURE 2

Pools 800 Square Feet and Smaller.

POOLGUARD automatically compensates for variations in pool levels within the unit's operating range. The unit utilizes a sensing throat which projects into the water and is designed to operate in most pools with an in-wall skimmer. The sensing throat cannot be less than 2.5 inches, (See Figure 3), and not more than 5.5 inches into the water, POOLGUARD recommends that the sensing throat be approximately 4 inches in the water. POOLGUARD can be used with SOLAR BLANKETS on the pool. POOLGUARD can also be used in spas.

SENSING THROAT CANNOT BE LESS THAN 2.5" IN THE WATER, POOLGUARD RECOMMENDS THAT THE SENSING THROAT BE APPROXIMATELY 4" IN THE WATER

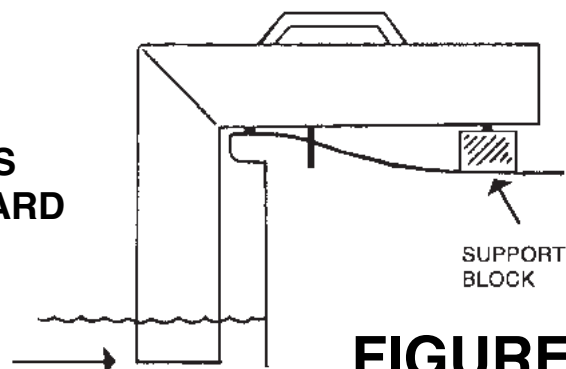


FIGURE 3

IMPORTANT

POOLGUARD may not function properly if your pool's water level is not maintained within the required levels of your alarm. Also, the unit may not operate effectively while certain types of automatic pool cleaners are in operation.

Some irregular shaped decks may not provide a level foundation for the unit by the pool's edge. This minor problem can be overcome by appropriately supporting the unit, (**See Figure 3**).

STABILIZING YOUR POOL ALARM

The Alarm Stabilizing Pin (**ASP**) is factory installed onto your pool alarm. Tools needed to install your alarm are: One 5/16" masonry drill bit that can be found at your local hardware store, a drill, a pencil, a tape measure or yard stick.

1. Position your pool alarm so that the sensing throat is in the water and the **ASP** is touching the deck, (leave a small space no more than 3/8" between the sensing throat and the top edge of your deck or coping), (**See Figure 4**).
2. Mark with a pencil the spot where you wish to drill the hole for the **ASP**.
3. With the 5/16" masonry drill bit, drill a hole 2 1/4" inches deep, as straight as possible.
4. Clean off the debris and install the alarm by placing the **ASP** into the 5/16" diameter by 2 1/4" deep hole.
5. Your Pool Alarm is now ready for use. If you have any questions or need help with installation, please give us a call at **1-800-242-7163**.
6. Be sure to keep your **ASP** hole clean from debris and dirt so that your alarm will always lay flat on the pool deck when installed.

REMEMBER THAT THE POOL UNIT MUST BE REMOVED FROM POOL BEFORE SWIMMING!

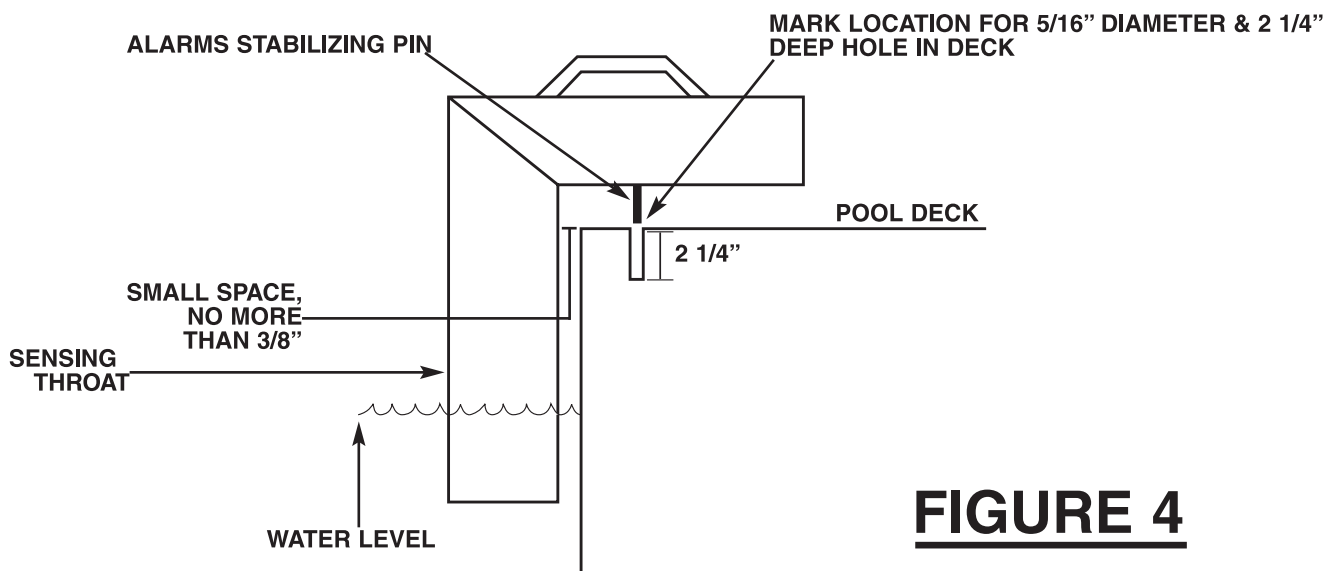


FIGURE 4

Sensing throat cannot be less than 2.5" in the water, POOLGUARD recommends that the sensing throat be approximately 4" in the water.

TEST BEFORE USING

To ensure effectiveness, test **POOLGUARD** every time you place it into the pool by performing the following procedure:

- **POOLGUARD DOES NOT HAVE AN ON/OFF SWITCH** When the alarm is in the pool it is always in the **ON** position and cannot be turned off. When the alarm is out of the pool it is always in the **OFF** position.
- To test your alarm push an object of appropriate volume and weight off the deck edge at the farthest location from the alarm. (A four (4) gallon jug of water or 3-one (1) gallon jugs of water tied together are ideal for testing.) The alarm should sound when the water action caused by the intrusion reaches the unit. It may take a few seconds for the alarm to react to the water action.
- After resetting the alarm and allowing time for the water action to settle, repeat the procedure from another point in the pool until you are confident of detection performance.
- **POOLGUARD** includes a timer function which automatically resets the unit after the alarm has sounded for approximately 5 minutes.

ADJUSTING YOUR RETURN LINE FITTINGS

The **POOLGUARD** alarm should not be placed too close to a return line, also do not place **POOLGUARD** in a location in the pool where a return line is pointing in the alarms direction. Water turbulence may be too strong, falsely setting the alarm off or the water turbulence may interfere with the alarms ability to detect an intrusion. If you have more than 2 return lines please call customer service at 1-800-242-7163. It is very important in pools to adjust all the eyeball fittings on your return lines so that the water flow will not interfere with your pool alarm. **Point all the eyeball fittings down and your pool will still circulate properly and this will allow **POOLGUARD** to function properly, (See Figure 5).** Pointing the eyeball fittings down also helps revert algae growth.

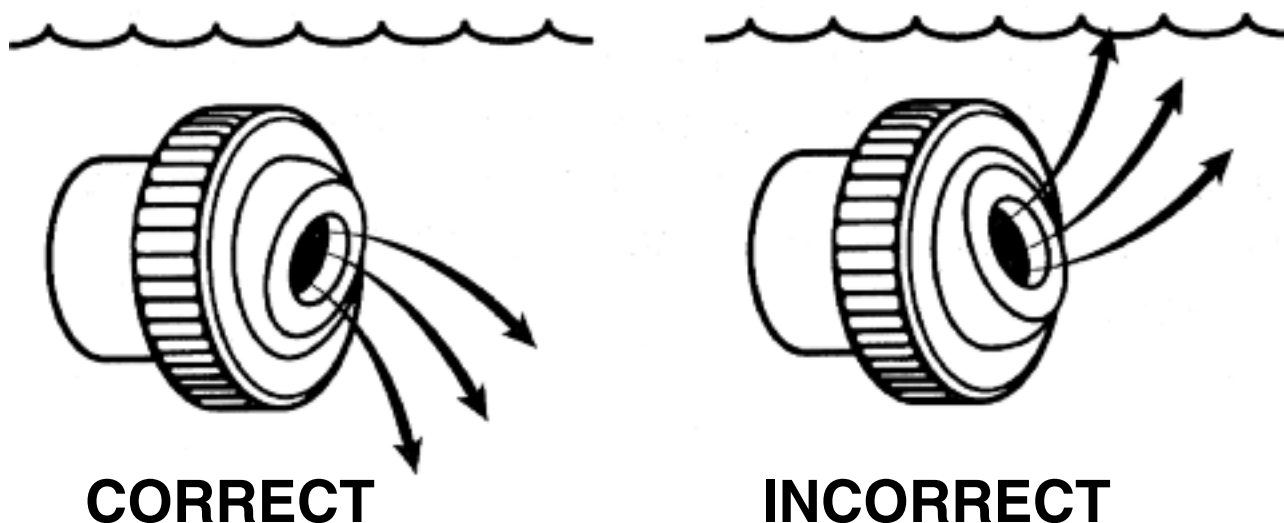


FIGURE 5

POOLGUARD REMOTE RECEIVER

The POOLGUARD REMOTE RECEIVER has been integrated with the standard POOLGUARD unit to provide a wireless remote alert operating at distances of up to 200 feet. The POOLGUARD REMOTE RECEIVER sounds an alarm in the house when the POOLGUARD unit is activated at the pool. The remote system consists of the following functional elements:

- A coded pulse receiver (Remote Receiver). (See Figure 6).
- A standard wall outlet power supply. (See Figure 6).

The REMOTE RECEIVER is a compact unit powered by a **UL** and **CSA** approved AC/DC power supply. The REMOTE RECEIVER can be placed on a table or a counter top inside the house. The pulse coded radio frequency signal is transmitted from the pool unit and is received and decoded to sound the remote receiver. **The remote receiver will sound for an additional 3 seconds after the pool unit has been silenced. If the REMOTE RECEIVER beeps once approximately every 10 seconds, it is indicating the 9v battery in the pool unit is low and needs to be replaced.** After you have purchased your POOLGUARD alarm and you wish to add another remote receiver to your alarm system you can acquire one from PBM Industries, Inc. Contact PBM by phone or mail or contact your place of purchase.

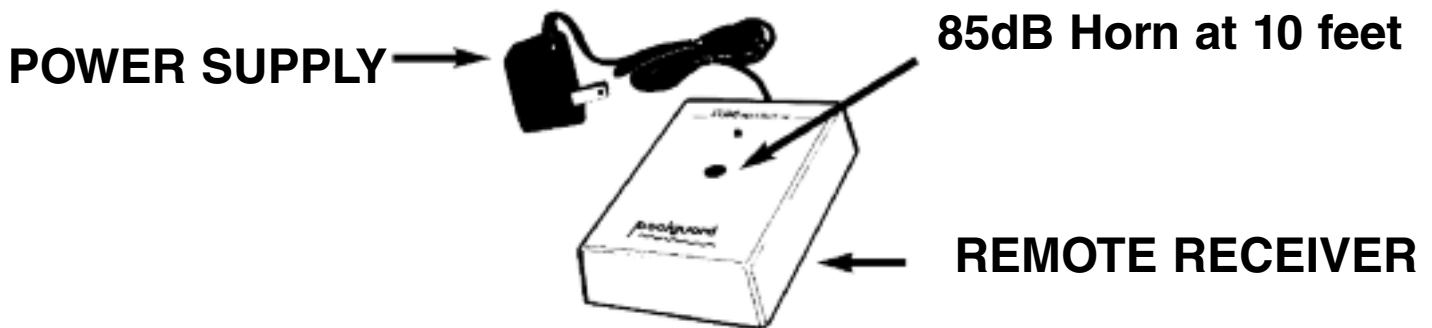


FIGURE 6

TO OPERATE YOUR REMOTE RECEIVER

Try to locate your REMOTE RECEIVER in a convenient part of your house close to the pool. Avoid steel walls or any other large metal objects or obstructions that might interfere with the signal reception. The REMOTE RECEIVER has to be placed on the same level or a level above the pool in the house (do not place receiver in an underground basement). The ideal location for your REMOTE RECEIVER would be by a window overlooking your pool. Test your REMOTE RECEIVER in different locations in your house to find the best working place for your receiver. Connect the power supply to any 120V, electrical outlet and insert the jack into the receiver. Check that indicator light is on. Your REMOTE RECEIVER unit is now ready to receive a transmission from your POOLGUARD unit. **DO NOT USE YOUR REMOTE RECEIVER OUTDOORS.**

NOTE: THE MANUFACTURER IS NOT RESPONSIBLE FOR ANY RADIO OR TV INTERFERENCE CAUSED BY UNAUTHORIZED MODIFICATIONS TO THIS EQUIPMENT. SUCH MODIFICATIONS COULD VOID THE USER'S AUTHORITY TO OPERATE THE EQUIPMENT.

SWIMMING POOL SAFETY TIPS

- Supervise children at all times.
- Never permit swimming alone. Never leave a child alone, even to answer the telephone.
- Always remove the entire solar cover from a pool before swimming.
- Remember that alcohol and water safety do not mix.
- Have your pool area fenced and the gate locked to prevent unauthorized entry to the pool, and install a gate alarm.
- Lock and secure all doors in the house which permit easy access to the pool, and install a door alarm.
- Have a responsible adult teach swimming and water safety to your children.
- Maintain clean, clear water in the pool.
- Do not swim during electrical storms.
- Do not permit bottles, glass, or sharp objects to be used around the pool.
- Ask your pool dealer how you can improve your pool safety – they will be glad to assist you.
- Above all: remember that common sense, awareness, and caution will allow you to enjoy your pool.

WARRANTY AND REPAIRS

POOLGUARD is sold with a limited warranty to cover defects in parts and workmanship for three years from date of purchase, (retain proof of purchase).

If POOLGUARD exhibits a defect, please call Customer Service at 1-800-242-7163. Unauthorized returns will not be accepted. Proper repair is only ensured when the unit is returned to the manufacturer.

SEND CORRESPONDENCE TO:

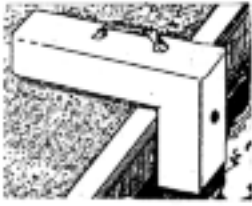
**PBM INDUSTRIES, INC.
P.O.BOX 658, NORTH VERNON, IN 47265
1-800-242-7163**

This product has been designed to aid in the detection of unwanted intrusions into unsupervised pools. POOLGUARD IS A SAFETY ALARM SYSTEM AND NOT A LIFE SAVING DEVICE. "This device is not intended to replace any other safety consideration - i.e., adult supervision, lifeguards, fences, gates, pool covers, locks, etc., and some devices may not detect gradual entry."



REV. 10/2008

HELPFUL HINTS AND TROUBLESHOOTING



Poolside Unit

poolguard®

Power Supply



Remote Receiver

FALSE ALARMS

All pool alarms will false alarm on occasion for different reasons. False alarms can be minimized; however, it is important to remember that a false alarm is better than no alarm at all. **WEATHER & WIND**—POOLGUARD sets stationary on the deck of the pool so the wind will not effect the alarm

unit itself. Wind may trigger a false alarm if it is strong enough or steady enough that it causes the water in the pool to rock or bounce up and down the pool wall. When the water in the pool moves up and down the POOLGUARD sensing throat, it may finally cause the alarm to sound. On extremely windy days when the pool water is rocking it is advised to remove the POOLGUARD from the pool. **Light wind or rain will not effect the POOLGUARD alarm.**

Another false alarm occurs when the pool owner tries to install the alarm too soon after swimming. After swimming, the water in the pool will rock or bounce up and down the pool wall for some time depending on the size of the pool and the type of swimming activity. **Before installing the alarm, after swimming, the pool must be given time to calm.** Time will vary (around 10 to 30 minutes); once the pool owner sees that the pool water is no longer rocking up and down the pool wall, it is time to install the alarm.

Certain **automatic cleaners** may set the POOLGUARD unit off in some cases. If the cleaner head or the cleaner hose hits the POOLGUARD alarm it may cause it to false alarm. Solutions to this problem are to use your cleaner at night and your alarm during the day. Another option would be to find a place around the pool where the cleaner does not interfere with the alarm. Certain water features such as waterfalls can cause POOLGUARD to false alarm. To avoid this problem do not install the POOLGUARD alarm too close to the water feature. If you are having a problem with any type of water feature call POOLGUARD at 1-800-242-7163.

ALARM PLACEMENT

The alarm should be on a flat, solid surface for best results. The throat of the unit is designed to work in most pools with an in-wall skimmer. The water level up on the throat is important and should be checked. The sensing throat cannot be less than 2.5 inches in the water, and not more than 5.5 inches into the water. POOLGUARD recommends that the sensing throat be approximately 4 inches in the water. POOLGUARD can be used with a solar cover; however, before removing the cover, the alarm should be taken out so it does not get pulled into the pool.

ALARM TESTING

Drop something of approximate **size, weight and volume** of the family's smallest child, the farthest point away from the alarm. A four (4) gallon jug of water or 3 one (1) gallon jugs of water tied together are ideal for testing. **Remember, when testing you must wait about 15 minutes between tests for the pool to calm.**

ALARM WILL NOT SOUND

Be sure that a 9 volt battery has been installed properly. If you are testing and POOLGUARD does not alarm, be sure you are testing properly – putting your feet in the pool, splashing with your hands, making waves with a leaf skimmer, or dropping something into the pool that does not have the proper size, weight and volume **will not set the POOLGUARD alarm off!** Testing is very important and should be done correctly.

CARE AND HANDLING

POOLGUARD is made of sturdy, rigid vinyl PVC - UV rated. Because the alarm is electronic and mechanical great care should be taken not to drop the unit; like any other appliance, it may break. Sun and rain will not hurt the alarm. POOLGUARD is weatherproof **but not waterproof**. Great care should be taken not to knock the alarm into the pool. If the alarm goes into the pool there are directions in the manual on how to dry it out, but more than likely it will have to be returned to the factory for service. **Always remember to remove the alarm before using the pool.**

REMOTE RECEIVER

When the unit at the pool alarms, the remote receiver will sound. **Maximum Range for the remote is 200 feet** from the poolside unit. Avoid placing remote in basements or close to metal walls. Be sure that the red light on the remote is on. Remember the poolside unit must be beeping (alarming) for the remote to work.

If your remote receiver is not getting a clear signal or no signal from the poolside unit, try the following: Before plugging in the power supply, be sure **to stretch out the cord**; do not leave it tied in a bow as packaged. When you first plug in the remote it will give one short loud beep then stop.

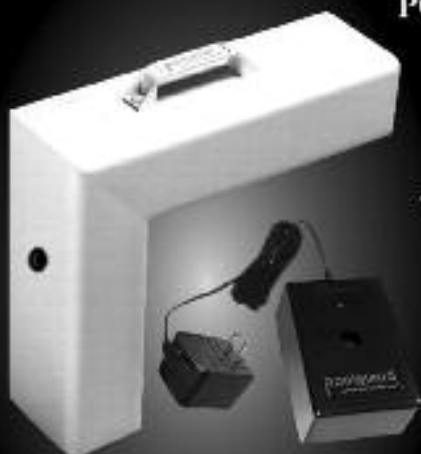
Your Remote Receiver is similar to a small portable radio. If your remote is not sounding when the poolside unit is sounding—move the remote to different locations and stand back for a few seconds for the remote to pick up the signal. You may only have to move your remote a little to the left or right to bring in the signal—in some cases you might have to move the remote to a different location or another room. If you cannot get a signal on your remote receiver CALL CUSTOMER SERVICE AT 1-800-242-7163

QUICK DO'S AND DON'TS

- **DO read the manual carefully**
 - **DO install a 9 volt battery**
 - **DO untie the bow on the power supply**
 - **DO test the alarm properly**
 - **DO carry your alarm by the handle**
 - **DO remove alarm before swimming**
-
- **DON'T leave alarm in pool while swimming**
 - **DON'T drop your alarm, it may break**
 - **DON'T knock or let your alarm fall into the pool**
 - **DON'T install your alarm immediately after swimming**
 - **DON'T use your alarm on extremely windy days**



poolguard®



**IN GROUND
POOL ALARM
WITH REMOTE**

**POOLGUARD POOL ALARMS
TESTED BY
GOOD HOUSEKEEPING
MAGAZINE**

*The name you can trust,
since 1982.*

One source for all
your pool safety alarms,
number one in
customer service.

All products
made in the USA.



**ABOVE GROUND
POOL ALARM
WITH REMOTE**



**Poolguard's
Family of Products
Helps Protect Your Family!**



GATE ALARM



DOOR ALARM

www.poolguard.com

Call Toll Free 1-800-242-7163

P.O. Box 658 • North Vernon, Indiana 47265



IMPORTANTE

MANUAL DE INSTRUCCIONES DE FUNCIONAMIENTO English • Español

CONSEJOS Y SUGERENCIAS ÚTILES

"CUMPLE CON LOS REQUISITOS DE LA ESPECIFICACIÓN DE SEGURIDAD ASTM F 2208"



MODELO PGRM = 2

Bocina de 85dB a 10 pies (3 m)

Este producto ha sido diseñado para permitir la detección de intrusiones indeseadas en las piscinas sin supervisión. POOLGUARD ES UN SISTEMA DE ALARMA DE SEGURIDAD Y NO UN DISPOSITIVO SALVAVIDAS. "Este dispositivo no fue diseñado con la intención de reemplazar ningún otro método de seguridad, por ej.: supervisión por parte de un adulto, salvavidas, cercas, rejas, cubiertas para piscinas, cerraduras, etc., y puede que algunos dispositivos no detecten una entrada gradual."

GENERAL

POOLGUARD es el resultado del diseño de calidad y de las técnicas de fabricación que son norma de PBM Industries, Inc.; una compañía dedicada a ofrecer productos de gran calidad. POOLGUARD es el resultado de dicha dedicación y garantizamos y suscribimos el sistema de alarma POOLGUARD. Las alarmas de piscina POOLGUARD han sido probadas y cumplen con la norma de seguridad y rendimiento ASTM para alarmas de piscina, ASTM F 2208, vea el inserto.

POOLGUARD es un sistema de control electrónico que suena automáticamente cuando cae a la piscina un niño o una mascota en una piscina sin supervisión.

POOLGUARD es una unidad portátil, autónoma y ligera, fácil y segura de manejar. El acceso a la piscina es detectado por el sensor electrónico de la unidad, el cual dispara una alarma con sonido alto e intermitente y transmisor interno de RF. El receptor remoto recibirá la señal transmitida y sonará una alarma en su hogar.

INSPECCIÓN

POOLGUARD viene embalada en una caja de cartón para envío que reduce las posibilidades de daños durante su manipulación. Revise que no haya daños y confirme que el contenido de la caja incluya los siguientes artículos:

- Unidad POOLGUARD
- Asa
- Receptor remoto y suministro de corriente
- Manual de instrucciones de funcionamiento
- Registre su alarma en línea a www.poolguard.com

Si falta algún artículo, póngase en contacto con el establecimiento donde lo compró o con PBM Industries, Inc., para su sustitución.

CUIDADOS Y MANIPULACIÓN

POOLGUARD está fabricado con plástico duradero para resistir el ambiente húmedo y hostil de la piscina. **Tenga cuidado cuando manipule la unidad para evitar que se caiga, reciba golpes, etc. Cuando utilice la piscina, retire la unidad y colóquela en posición vertical lejos de ella, (Véase figura 1).**

Si la unidad cae accidentalmente en la piscina, sáquela inmediatamente y vacíe el agua. Desarme la unidad siguiendo las indicaciones descritas en el Procedimiento de Sustitución y saque la pila. Incline y agite la unidad y elimine todo el exceso de agua contenido en la unidad, en la pila y en la zona de la placa del circuito con un paño o una toalla de papel. Pruebe la unidad antes de su uso, según se describe en el manual, para garantizar su funcionamiento correcto. **(No se olvide de sacar siempre la unidad de la piscina y colocarla lejos de la misma cada vez que vaya a nadar.)**

PARA UNIR EL ASA

Los dos tornillos para el asa están ubicados en la parte superior de la alarma, retírelos y atornille el asa, (Véase figura 1).

PARA INSTALAR SU ALARMA DE INTERRUPTOR DE REINICIO/PAUSA (Véase figura 1)

REINICIO: Cuando la unidad esté instalada en la piscina y esté sonando la bocina; presione una vez el interruptor de reinicio/pausa para silenciar la alarma.

MODO PAUSA: Cuando retire la unidad de la piscina y suene la bocina; presione y mantenga apretado durante 3 segundos el interruptor de reinicio/pausa para silenciar la alarma. La unidad de la piscina se activará automáticamente cuando se instale nuevamente en la piscina. **¡LA UNIDAD DE LA PISCINA NO PODRÁ PONERSE EN MODO PAUSA UNA VEZ INSTALADA EN LA PISCINA!**

CARACTERÍSTICA DE INSTALACIÓN Y RETIRADA SILENCIOSA

• El sistema Poolguard activará una alarma (sonará una bocina) cuando instale o retire la unidad de la piscina. Si no desea que la alarma se dispare (no sonará la bocina) cuando instale o retire la unidad de su piscina, siga las instrucciones descritas a continuación.

1. INSTALACIÓN SILENCIOSA (LA BOCINA NO SONARÁ)

• Presione y mantenga apretado durante 3 segundos el interruptor de reinicio/pausa hasta oír que la bocina de la unidad emite un chirrido. Suelte el interruptor de reinicio/pausa, a partir de este momento tendrá 15 segundos para instalar la unidad en su piscina sin que suene la bocina.

POOLGUARD COMENZARÁ A REVISAR INMEDIATAMENTE SU PISCINA EN BUSCA DE INTRUSIONES.

2. RETIRADA SILENCIOSA (LA BOCINA NO SONARÁ)

• Antes de retirar la unidad de su piscina, presione y mantenga apretado durante 3 segundos el interruptor de reinicio/pausa, hasta oír que la bocina de la unidad emite un chirrido.

Suelte el interruptor de reinicio/pausa, a partir de este momento tendrá 5 segundos para retirar la unidad de su piscina sin que suene la bocina. **IMPORTANTE: ESTO NO APAGARÁ LA UNIDAD POOLGUARD, SI NO RETIRA LA UNIDAD CONTINUARÁ MONITORIZANDO LA PISCINA EN BUSCA DE UNA INTRUSIÓN.**

3. ¡POOLGUARD HA DISEÑADO ESTA CARACTERÍSTICA "ÚNICAMENTE" PARA AQUELLOS QUE TIENEN LA RESPONSABILIDAD DE INSTALAR O RETIRAR LA ALARMA DE LA PISCINA!

INSTALACIÓN DE LAS PILAS DE RECAMBIO

(Pila no incluida), ("Energizer" Recomendado)

POOLGUARD funciona con una pila alcalina estándar de 9 voltios. Para instalar o retirar la pila:

- Saque el tornillo de la parte inferior de la unidad, (**véase figura 1**).
- Deslice cuidadosamente hacia afuera el ensamblaje electrónico; no tire del cable de conexión interna. (En caso de que sea necesario, agite suavemente la unidad para retirar el ensamblaje).
- Saque la pila usada y revise si gotea o está oxidada. (Elimine cualquier gota u óxido que esté presente antes de instalar la pila nueva).
- **IMPORTANTE: CUANDO INSTALE POR PRIMERA VEZ UNA PILA DE 9 VOLTIOS EN LA UNIDAD DE LA PISCINA, SONARÁ LA BOCINA. PARA SILENCIAR LA ALARMA PRESIONE Y MANTENGA APRETADO DURANTE 3 SEGUNDOS EL INTERRUPTOR DE REINICIO/PAUSA. ESTO CAMBIARÁ EL ESTADO DE LA ALARMA AL MODO PAUSA. LA UNIDAD DE LA PISCINA SE ACTIVARÁ AUTOMÁTICAMENTE CUANDO SE INSTALE EN LA PISCINA.**
- Instale la pila nueva presionando la conexión e introduciéndola en el compartimiento para pilas.
- Introduzca el ensamblaje electrónico en la unidad de la piscina; no pellizque el cable de conexión interno.
- Vuelva a colocar el tornillo, apriete manualmente hasta que el tornillo quede completamente insertado y a ras con la unidad de la piscina.

Para evitar posibles daños, quite la pila si va a guardar la unidad por un período de tiempo prolongado.

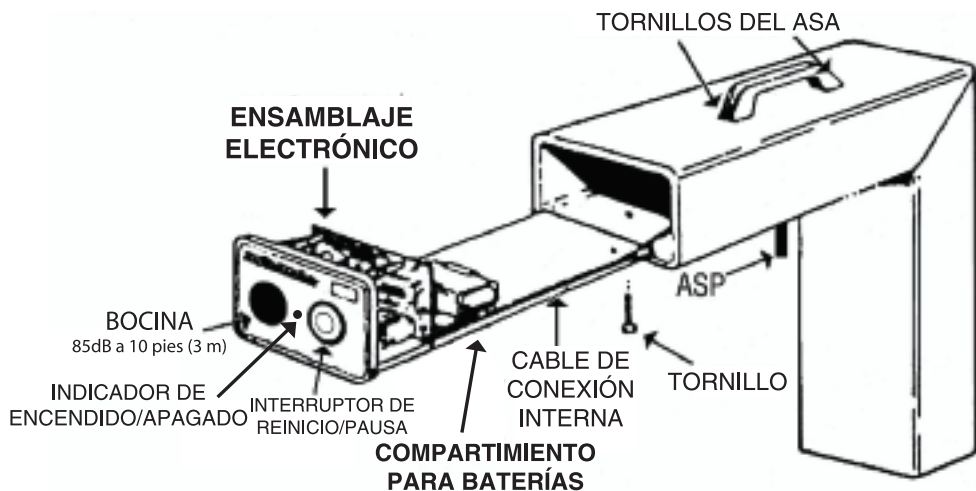
INDICADOR ENCENDIDO/APAGADO – LED VERDE

Cuando POOLGUARD está instalado y monitorizando su piscina en busca de una intrusión, el LED verde destellará una vez aproximadamente cada 10 segundos para indicar que la alarma está ENCENDIDA y OPERATIVA. Cuando POOLGUARD esté instalado en su piscina y la alarma esté sonando, el LED verde destellará aproximadamente 2 veces por segundo.

Cuando retire POOLGUARD de su piscina, el LED VERDE no destellará indicando que la alarma está APAGADA y NO OPERATIVA.

INDICADOR DE PILA BAJA

La UNIDAD DE LA PISCINA Y EL RECEPTOR REMOTO sonarán una vez aproximadamente cada 10 segundos para avisarle que la pila de la unidad de la piscina está baja y necesita reemplazarla.



UNIDAD DE LA PISCINA FIGURA 1



COLOCACIÓN EN LA PISCINA

La figura 2 ilustra las mejores ubicaciones para detectar intrusiones desde cualquier área de la piscina. Si la piscina tiene un tamaño superior a los 800 pies cuadrados (74,3 m²), si tiene más de 2 líneas de retorno, si tiene dudas sobre el tamaño, o si tiene una piscina de forma irregular o elementos decorativos tales como las cascadas, llame a nuestro departamento de servicios al cliente para aclarar el número recomendado de alarmas y los lugares para colocarlas: 1-800-242-7163. Las alarmas para piscina Poolguard han sido inspeccionadas y cumplen con las Especificaciones de la norma ASTM F 2208 para alarmas de piscinas en una piscina de 16 x 32 pies (4,9 x 9,8 m). Las alarmas POOLGUARD pueden utilizarse en piscinas de hasta 20 x 40 pies (6,1 x 12,2 m) o 800 pies cuadrados (74,3 m²).



FIGURA 2

Piscinas de 800 pies cuadrados (74,3 m²) o más pequeñas.

POOLGUARD automáticamente compensa las variaciones en los niveles de la piscina dentro del rango de operación de la unidad. La unidad utiliza un dispositivo sensor que se proyecta en el agua y está diseñado para funcionar en la mayoría de las piscinas con un limpiador de pared. El dispositivo sensor no puede tener menos de 2,5 pulgadas (6,4 cm) (véase la figura 3), y no más de 5,5 pulgadas (14 cm) en el agua, POOLGUARD recomienda que el dispositivo se introduzca aproximadamente 4 pulgadas (10,2 cm) en el agua. POOLGUARD puede utilizarse con MANTAS SOLARES en la piscina. POOLGUARD también puede utilizarse en bañeras de hidromasaje.

EL DISPOSITIVO SENSOR NO DEBE TENER MENOS DE 2,5" (6,4 cm) EN EL AGUA. POOLGUARD RECOMIENDA QUE EL DISPOSITIVO QUEDE INTRODUCIDO APROXIMADAMENTE 4" (10,2 cm) EN EL AGUA.

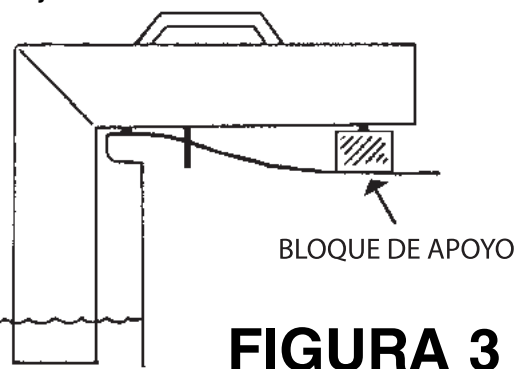


FIGURA 3

IMPORTANTE

POOLGUARD no puede funcionar adecuadamente si el nivel del agua de su piscina no se mantiene dentro de los niveles necesarios de la alarma. Es posible que la unidad no funcione de forma efectiva mientras se encuentren en funcionamiento ciertos tipos de limpiadores automáticos de piscina.

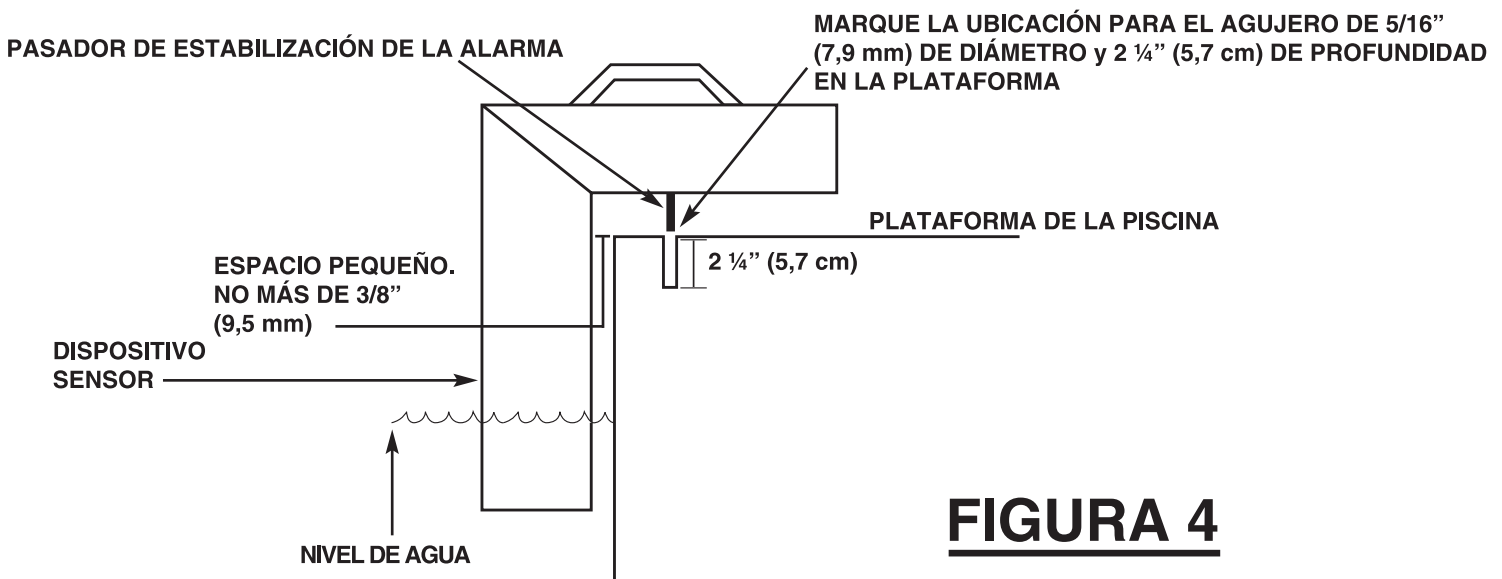
Algunas plataformas irregulares puede que no proporcionen una base nivelada para la unidad en el borde de la piscina. Este inconveniente puede subsanarse apoyando la unidad adecuadamente (**Ver la figura 3**).

ESTABILIZACIÓN DE LA ALARMA DE LA PISCINA

El pasador de estabilización de la alarma (**ASP**) viene instalado de fábrica en la alarma de la piscina. Las herramientas necesarias para instalar la alarma son: Una broca de 5/16" (7,9 mm) que puede encontrar en una ferretería local, un taladro, un lápiz, una cinta o una vara de medir.

1. Coloque la alarma de piscina de modo que el dispositivo sensor esté en el agua y el ASP esté tocando la plataforma (deje un pequeño espacio de no más de 3/8" (9,5 mm) entre el dispositivo sensor y la parte superior de la plataforma o el remate de la pared), (**vea la figura 4**).
2. Marque con un lápiz el lugar donde desea perforar el agujero para el **ASP**.
3. Con la broca de 5/16" (7,9 mm), taladre un agujero de 2 1/4" (5,7 cm) de profundidad, tan recto como sea posible.
4. Limpie los desechos e instale la alarma colocando el **ASP** en el agujero de 5/16" (7,9 mm) de diámetro y 2 1/4" (5,7 cm) de profundidad.
5. Su alarma de piscina está ahora lista para ser utilizada. Si tiene preguntas o necesita ayuda con la instalación, llámenos al **1-800-242-7163**.
6. Conserve el agujero **ASP** limpio de desechos y suciedad para que su alarma siempre permanezca plana en la plataforma de la piscina cuando la instale.

¡RECUERDE QUE LA UNIDAD DE PISCINA DEBERÁ RETIRARSE DE LA PISCINA ANTES DE NADAR!



El dispositivo sensor no debe estar introducido menos de 2,5" (6,4 cm) en el agua. POOLGUARD recomienda que el dispositivo quede introducido aproximadamente 4 pulgadas (10,2 cm) en el agua.

PRUEBE ANTES DE UTILIZAR

Para asegurar la efectividad, pruebe **POOLGUARD** cada vez que lo coloque en la piscina efectuando el siguiente procedimiento:

- **POOLGUARD NO TIENE UN INTERRUPTOR DE ENCENDIDO/APAGADO** Cuando la alarma se encuentra en la piscina está siempre en la posición ON (encendido) y no puede apagarse. Cuando la alarma está fuera de la piscina siempre está en la posición OFF (apagado).
- Para probar la alarma presione un objeto de volumen y peso adecuado alejado del borde de la plataforma en el lugar más lejano con respecto a la alarma. (Un envase de cuatro (4) galones de agua o 3 de un (1) galón atados juntos son ideales para probar.) La alarma debe sonar cuando el movimiento del agua causado por la intrusión alcance la unidad. Puede que tome unos segundos que la alarma reaccione a la acción del agua.
- Después de reiniciar la alarma y permitir que el movimiento del agua se aquiete, repita el procedimiento desde otro punto de la piscina hasta que esté seguro del rendimiento de detección.
- **POOLGUARD** incluye una función con temporizador la cual automáticamente reinicia la unidad después de que la alarma haya sonado aproximadamente 5 minutos.

REGULACIÓN DE LOS ACOPLÉS DE TUBERÍA DE RETORNO

La alarma **POOLGUARD** no debe estar colocada demasiado cerca de una tubería de retorno. Tampoco coloque **POOLGUARD** en un lugar de la piscina donde exista una tubería de retorno apuntando en la dirección de la alarma. La turbulencia del agua puede ser demasiado fuerte, disparando falsamente la alarma o la turbulencia puede interferir con la capacidad de la alarma para detectar una intrusión. Si tiene más de 2 tuberías de retorno llame al servicio al cliente al 1-800-242-7163. Es muy importante ajustar los acoples en forma de ojo en las tuberías de retorno de modo que el flujo del agua no interfiera con la alarma de la piscina. Apunte todos los acoples en forma de ojo hacia abajo y la piscina circulará adecuadamente, lo cual hará que **POOLGUARD** funcione adecuadamente (ver figura 5). Apuntar los acoples en forma de ojo hacia abajo también ayuda a evitar el crecimiento de algas.

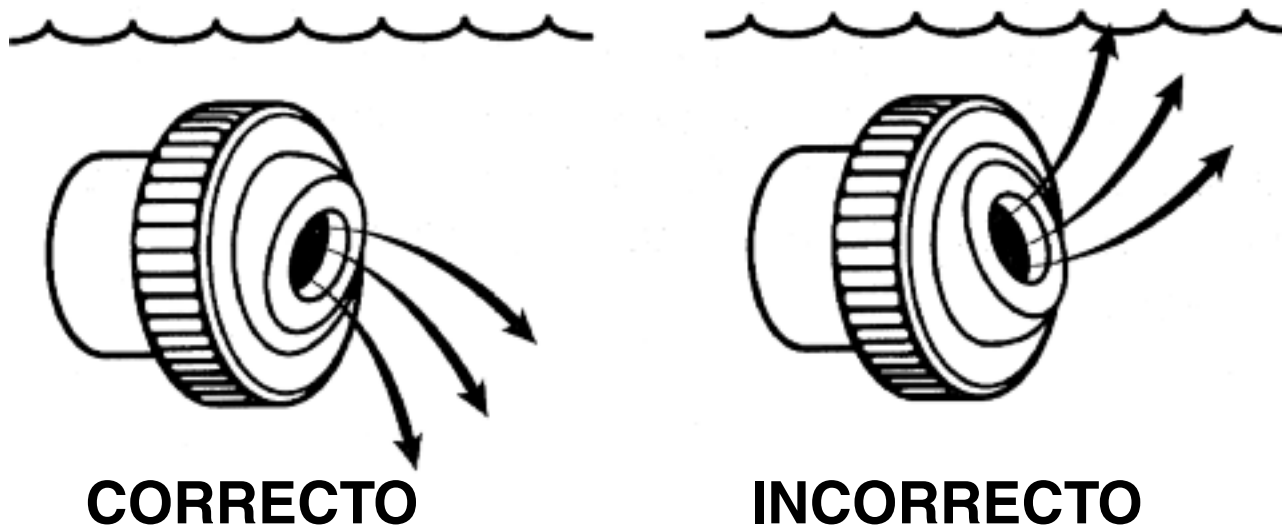


FIGURA 5

RECEPTOR REMOTO POOLGUARD

El RECEPTOR REMOTO POOLGUARD ha sido integrado con la unidad estándar POOLGUARD para proporcionar una alerta remota inalámbrica que opera a distancias de hasta 200 pies (61 m). El RECIBIDOR REMOTO POOLGUARD emite una alarma en la casa cuando la unidad POOLGUARD se activa en la piscina. El sistema remoto consiste en los siguientes elementos funcionales:

- Un receptor de pulso codificado (Receptor remoto), (**Ver figura 6**).
- Un tomacorriente estándar de pared (**Ver figura 6**).

El RECEPTOR REMOTO es una unidad compacta alimentada por un suministro de energía AC/DC aprobado por **UL** y **CSA**. El RECEPTOR REMOTO puede colocarse en una mesa o en una cubierta prefabricada dentro de la casa. La señal de pulsación codificada de radiofrecuencia se transmite desde la unidad de piscina y se recibe y decodifica para que suene en el receptor remoto. **El receptor remoto sonará durante 3 segundos más después de que la unidad de piscina se haya silenciado. Si el RECEPTOR REMOTO suena una vez aproximadamente cada 10 segundos, indica que la pila de 9 voltios de la unidad de piscina tiene poca carga y debe cambiarse.** Después de que haya comprado su alarma POOLGUARD y desea añadir otro receptor remoto a su sistema de alarma puede adquirir uno de PBM Industries, Inc. Contacte PBM por teléfono o por correo o en el lugar donde lo compró.



FIGURA 6

PARA HACER FUNCIONAR SU RECEPTOR REMOTO

Trate de ubicar su RECEPTOR REMOTO en una parte conveniente de su hogar cerca de la piscina. Evite las paredes de acero o cualquier otro objeto grande de metal u obstrucciones que pudiesen interferir con la recepción de la señal. El RECEPTOR REMOTO debe colocarse al mismo nivel o a un nivel por sobre la piscina en la casa (no coloque el receptor en un sótano bajo tierra). La ubicación ideal de su RECEPTOR REMOTO debería ser cerca de una ventana que tenga vista hacia la piscina. Pruebe su RECEPTOR REMOTO en diferentes ubicaciones de su casa para encontrar el mejor lugar de trabajo para su receptor. Conecte el suministro de energía a cualquier tomacorriente de 120V e inserte la clavija en el receptor. Verifique que la luz indicadora esté encendida. Su unidad de RECEPTOR REMOTO está ahora lista para recibir una transmisión de su unidad POOLGUARD. **NO UTILICE SU RECEPTOR REMOTO EN EXTERIORES.**

NOTA: EL FABRICANTE NO ES RESPONSABLE POR CUALQUIER INTERFERENCIA DE RADIO O TELEVISIÓN CAUSADA POR MODIFICACIONES NO AUTORIZADAS REALIZADAS A ESTE EQUIPO. TALES MODIFICACIONES PODRÍAN ANULAR LA AUTORIZACIÓN DEL USUARIO PARA OPERAR EL EQUIPO.

CONSEJOS DE SEGURIDAD EN LA PISCINA

- Supervise a los niños en todo momento.
- Nunca permita que naden solos. Nunca deje solo a un niño, ni siquiera para atender el teléfono.
- Siempre retire totalmente la cubierta solar de una piscina antes de nadar.
- Recuerde que el alcohol y la seguridad en el agua no combinan..
- Mantenga cercada el área de la piscina y la reja trancada para evitar la entrada no autorizada a la piscina, e instale una alarma en la reja.
- Tranque y asegure todas las puertas de la casa que permitan el acceso fácil a la piscina e instale una alarma en la puerta.
- Un adulto responsable debe enseñar a los niños a nadar y las medidas de seguridad en al agua.
- Conserve el agua de la piscina limpia y transparente.
- No nade durante tormentas eléctricas.
- No permita el uso de botellas, vidrio u objetos afilados en la piscina.
- Pida a su distribuidor cómo puede mejorar la seguridad en la piscina – les agradecerá asistirle.
- Sobre todo: Recuerde que el sentido común, la concienciación y la precaución le permitirán disfrutar de su piscina.

GARANTÍA Y REPARACIONES

POOLGUARD se vende con una garantía limitada para amparar los defectos en los materiales y la mano de obra por un período de tres años a partir de la fecha de compra (conservar la prueba de compra). Si POOLGUARD presenta un defecto, llame al Servicio al Cliente al 1-800-242-71 63. No se aceptarán devoluciones no autorizadas. La reparación adecuada se logra sólo cuando se devuelve la unidad al fabricante.

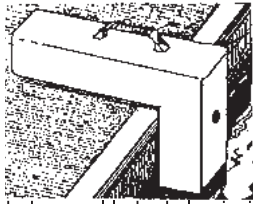
ENVÍE LA CORRESPONDENCIA A:

**PBM INDUSTRIES, INC.
P.O.BOX 658, NORTH VERNON, IN 47265
1-800-242-7163**

Este producto ha sido diseñado para permitir la detección de intrusiones indeseadas en las piscinas sin supervisión. POOLGUARD ES UN SISTEMA DE ALARMA DE SEGURIDAD Y NO UN DISPOSITIVO SALVAVIDAS. "Este dispositivo no fue diseñado con la intención de reemplazar ningún otro método de seguridad, por ej.: supervisión por parte de un adulto, salvavidas, cercas, rejas, cubiertas para piscinas, cerraduras, etc., y puede que algunos dispositivos no detecten una entrada gradual!"



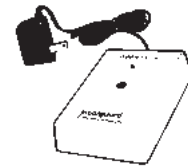
REV. 10/2008



Unidad para al lado de la piscina

poolguard®

Suministro de energía



Receptor remoto

FALSA ALARMA

Todas las alarmas presentarán una alarma falsa en alguna ocasión por diferentes razones. Las alarmas falsas pueden minimizarse; sin embargo, es importante recordar que una falsa alarma es mejor que ninguna. **CLIMA y VIENTO-POOLGUARD** permanece estacionaria en la plataforma de la piscina de modo que el viento no afecta la unidad de alarma misma. El viento puede desencadenar una falsa alarma si es lo suficientemente fuerte o constante que hace que el agua de la piscina ondule o rebote contra las paredes de la piscina. Cuando el agua de la piscina se mueve hacia arriba y hacia abajo en el dispositivo sensor POOLGUARD, puede hacer que finalmente se dispare la alarma. En días con mucho viento, cuando el agua de la piscina ondule aconsejamos retirar el POOLGUARD de la piscina. **El viento leve o la lluvia no afectan la alarma POOLGUARD.**

Otra falsa alarma ocurre cuando el dueño de la piscina intenta instalar la alarma demasiado pronto después de nadar. Después de nadar, el agua de la piscina ondula o rebota contra las paredes de la piscina durante algún tiempo dependiendo del tamaño de la piscina y del tipo de actividad que se realice. **Antes de instalar la alarma, después de nadar, debe dejarse que el agua de la piscina se aquiete.** El tiempo puede variar (de 10 a 30 minutos); una vez que el dueño de la piscina vea que el agua no se está moviendo contra las paredes, es el momento de instalar la alarma.

Ciertos **limpiadores automáticos** pueden disparar la unidad POOLGUARD en algunos casos.

Si el cabezal limpiador o la manguera limpiadora golpea la alarma POOLGUARD puede que ocasione una falsa alarma. Las soluciones a este problema son utilizar su limpiador de noche y la alarma durante el día. Otra opción sería encontrar un lugar en la piscina donde el limpiador no interfiera con la alarma. Ciertos **elementos decorativos** tales como las cascadas pueden ocasionar que POOLGUARD dispare una falsa alarma. Para evitar este problema no instale la alarma POOLGUARD demasiado cerca del elemento decorativo. Si tiene problemas con cualquier tipo de elemento decorativo para agua llame a POOLGUARD al 1-800-242-7163.

COLOCACIÓN DE LA ALARMA

La alarma debe estar en una superficie plana y firme para mejores resultados. El dispositivo sensor de la unidad está diseñado para que funcione en la mayoría de las piscinas con un limpiador de pared. El nivel del agua en el sensor es importante y debe revisarlo. El dispositivo sensor no puede estar introducido menos de 2,5" (6,4 cm) en el agua ni más de 5,5" (14 cm). POOLGUARD recomienda que el dispositivo sensor esté introducido aproximadamente 4" (10,2 cm) en el agua. POOLGUARD puede utilizarse con una cubierta solar; sin embargo, antes de retirar la cubierta, deberá retirar.

PRUEBA DE LA ALARMA

Deje caer algo aproximadamente del **tamaño, peso y volumen** del niño más pequeño de la familia, en el punto más alejado de la alarma. Un envase de cuatro (4) galones de agua o 3 de un (1) galón atados juntos son ideales para probar. **Recuerde, cuando pruebe deberá esperar alrededor de 15 minutos entre una y otra prueba hasta que el agua se aquiete.**

LA ALARMA NO SUENA

Compruebe que se haya instalado adecuadamente una pila de 9 voltios. Si está probando y no se activa la alarma POOLGUARD, verifique si está probando adecuadamente – colocando su pie en la piscina, salpicando con las manos, haciendo olas con un limpiador de hojas o dejando caer algo en la piscina que no tenga el tamaño, peso y volumen adecuados, **¡no disparará la alarma!** Hacer las pruebas es muy importante y debe efectuarse correctamente.

CUIDADOS Y MANIPULACIÓN

POOLGUARD se fabrica con PVC de vinilo fuerte y rígido – clasificación UV. Debido a que la alarma es electrónica y debe ejercerse gran cuidado mecánico para no dejar caer la unidad; como cualquier otro aparato, puede romperse. El sol y la lluvia no dañan la alarma. POOLGUARD es resistente al agua **pero no impermeable**. Debe tenerse mucho cuidado de que no caiga la alarma en la piscina. Si la alarma entra en la piscina refiérase al manual sobre cómo secarla, pero lo más probable es que tenga que devolverla a la fábrica para prestarle servicio. **Siempre recuerde retirar la alarma antes de utilizar la piscina.**

RECEPTOR REMOTO

El rango máximo para el remoto es 200 pies (61 m) desde la unidad de la piscina. Evite colocar el remoto en sótanos o cerca de paredes metálicas. Compruebe que la luz roja del remoto esté encendida. Recuerde que la unidad de la piscina deberá estar sonando (detectando) para que el remoto trabaje.

Si su receptor remoto no obtiene una señal clara o ninguna señal desde la unidad de la piscina, intente lo siguiente: Antes de enchufar al suministro de energía, **cerciórese de estirar el cable**; no lo deje atado ni plegado como viene empacado. Cuando enchufe por primera vez el remoto, emitirá un pitido corto y fuerte y luego se detendrá..

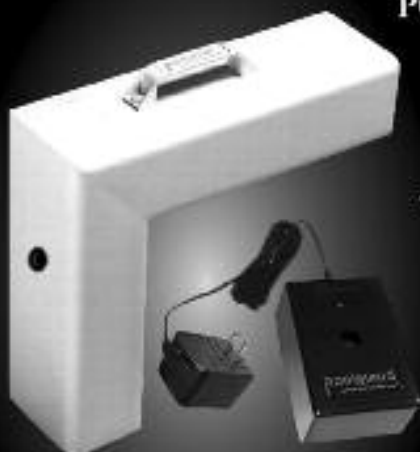
El receptor remoto es similar a un radio portátil pequeño. Si el remoto no suena cuando suene la unidad de la piscina, mueva el remoto a diferentes lugares y aléjese por unos segundos para que el remoto recoja la señal. Puede mover el remoto sólo un poco hacia la izquierda o la derecha para atraer la señal. En algunos casos es posible que tenga que mover el remoto a un lugar diferente o a otra habitación. Si no obtiene señal en el receptor remoto LLAME AL SERVICIO AL CLIENTE AL 1-800-242-7163

LO QUE DEBE HACER Y LO QUE NO

- **LEA el manual atentamente**
 - **INSTALE una pila de 9 voltios**
 - **DESATE el cable de alimentación**
 - **PRUEBE la alarma adecuadamente**
 - **TRASLADÉ la alarma tomándola del asa**
 - **RETIRE la alarma antes de nadar**
-
- **NO DEJE la alarma en la piscina mientras nade**
 - **NO DEJE CAER la alarma, puede romperse**
 - **NO TROPIECE ni deje caer la alarma en la piscina**
 - **NO INSTALE la alarma inmediatamente después de nadar**
 - **NO UTILICE la alarma en días extremadamente ventosos**



poolguard®



**IN GROUND
POOL ALARM
WITH REMOTE**

**POOLGUARD POOL ALARMS
TESTED BY
GOOD HOUSEKEEPING
MAGAZINE**

*The name you can trust,
since 1982.*

One source for all
your pool safety alarms,
number one in
customer service.

All products
made in the USA.



**ABOVE GROUND
POOL ALARM
WITH REMOTE**



**Poolguard's
Family of Products
Helps Protect Your Family!**



GATE ALARM



DOOR ALARM

www.poolguard.com

Call Toll Free 1-800-242-7163

P.O. Box 658 • North Vernon, Indiana 47265